

THE
**BATHROOM
VANITIES**

www.spacewood.in



PRODUCT SPECIFICATIONS

Modules	: Base unit, Wall Unit, Tall Unit, Open Unit, Mirror Unit etc.
Depth	: Base unit – 560mm/ 450mm / Wall unit – 250mm/ 150mm / Tall unit – 560mm
Construction Type	: Knockdown
Base Material	: 18mm thick HMR-HDF
Carcass Colours	: Slate grey, White Caspani, Natural Teak, Fumed Oak and Bronze Walnut, Drift wood
Shutter	: 18mm / 20mm/ 22mm thick HDF.
Handles	: Integrated, Concealed Handle, Gola Profile, Edge Profile Handle, Surface Mounted handle
Drawers	: Wooden Drawers with soft close concealed Quadro runners (Undermount) – 450mm and 400mm length / Height : 150mm and 300mm.
Hinges	: Spacewood Softclose
Mounting System	: Base unit – LIBRA H7 hangs Wall unit – As per kitchen cabinets (regular/existing hangs)
Add On Accessory	: Antiskid matt and drawer insert from AGOFORM / Size : 600mm / 900mm



WIDE RANGE OF FINISHES

MEMBRANE



Flat (Matt/Wood Grey)



Integra



Classic CL-40



Perfect Touch

POLYMER



Polyprint



Polygloss

REFLEX



PU PAINT



J-Pull



Senora



Plain (Matt / Gloss)

GLOW



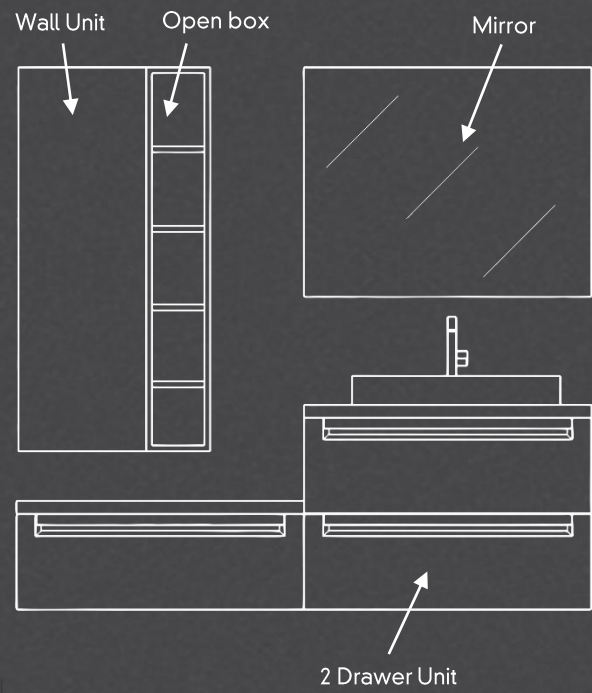
ACRYLIC



SHUTTER FINISHES: PVC Membrane / Polymer / PU Paint / Acrylic / Reflex / Glow / Glix Frame for Mirror / G20 frame for Mirror



DESIGN - 01



Shutter : Integra matt white

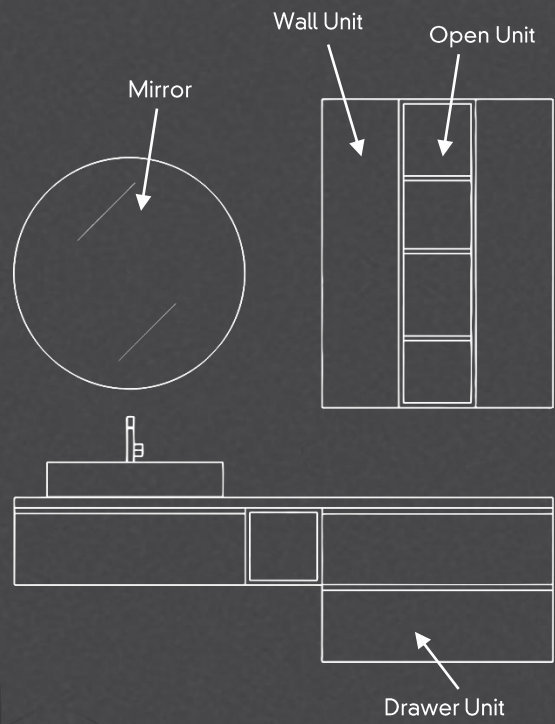
Handle : Built in

Carcass : Driftwood





DESIGN - 02

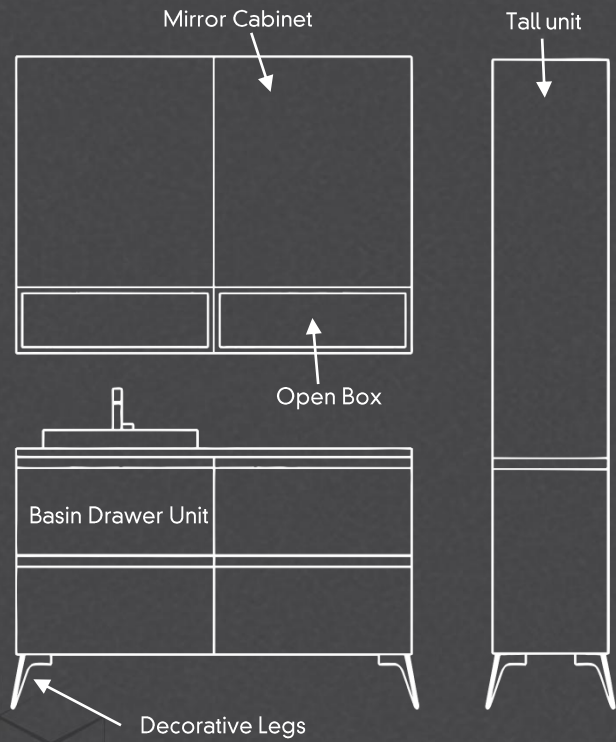


- Shutter : Acrylic Graphite
- Handle : Gola Profile Champagne
- Carcass : Natural Teak





DESIGN - 03



Shutter : PU Painted in HG Cappuccino

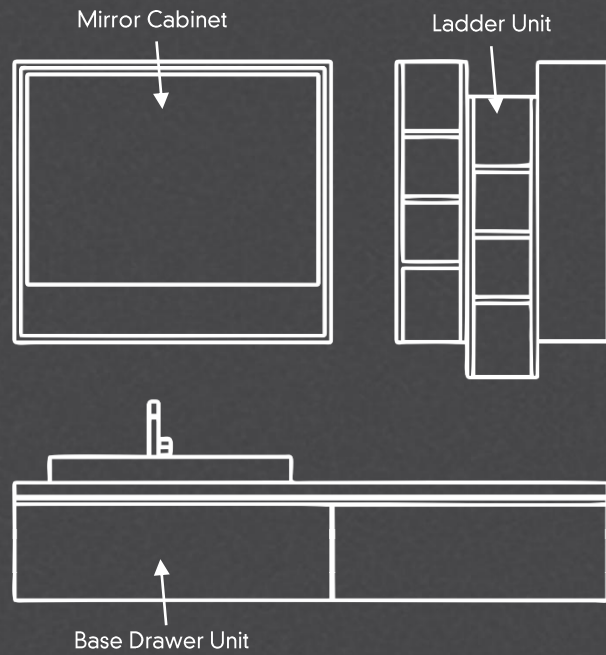
Handle : J-Pull

Carcass : Natural Teak





DESIGN - 04

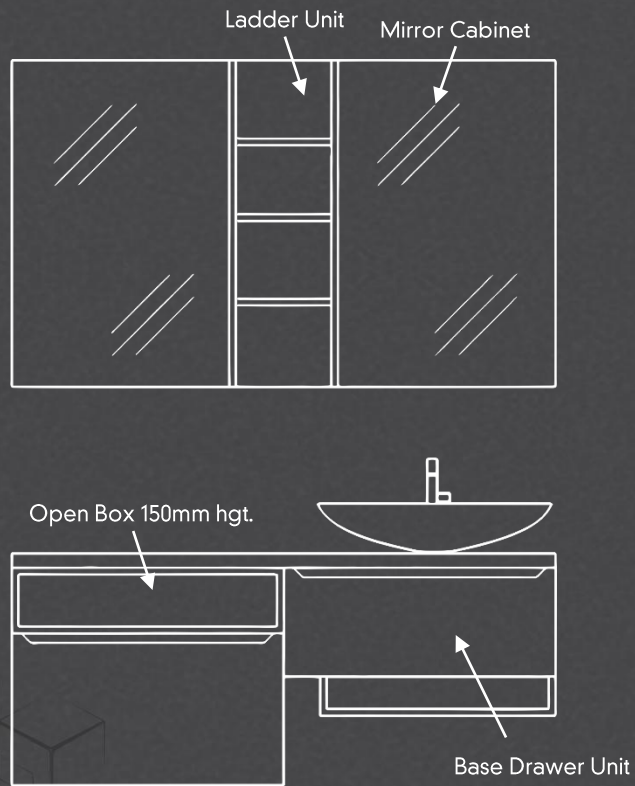


- Shutter : Reflex
- Handle : Gola Profile
- Carcass : Driftwood





DESIGN - 05



Shutter : PU Painted

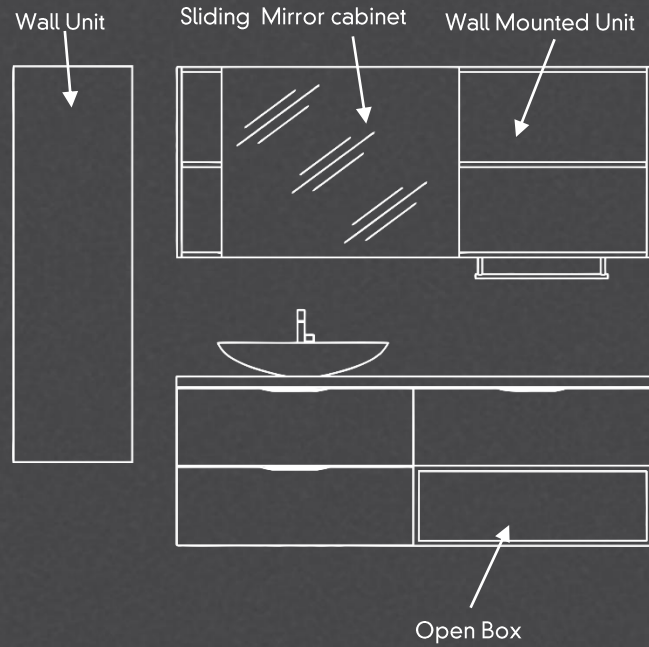
Handle : Senora Profile

Carcass : Driftwood





DESIGN - 06



Shutter : Artisan Oak

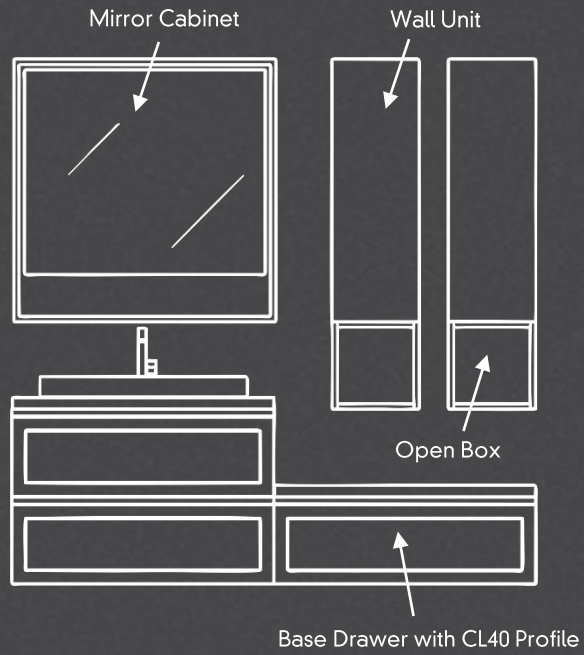
Handle : H77

Carcass : Slate Grey





DESIGN - 07



Shutter : CL40 profile Perfect Touch Grey

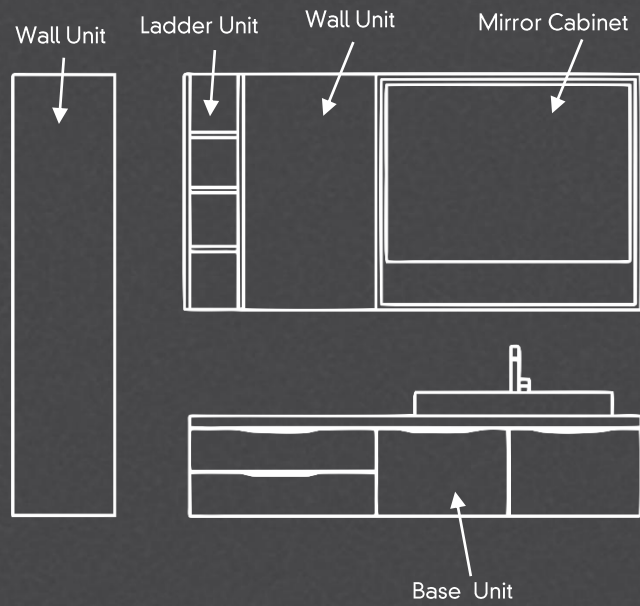
Handle : Gola Profile

Carcass : Natural Teak





DESIGN - 08

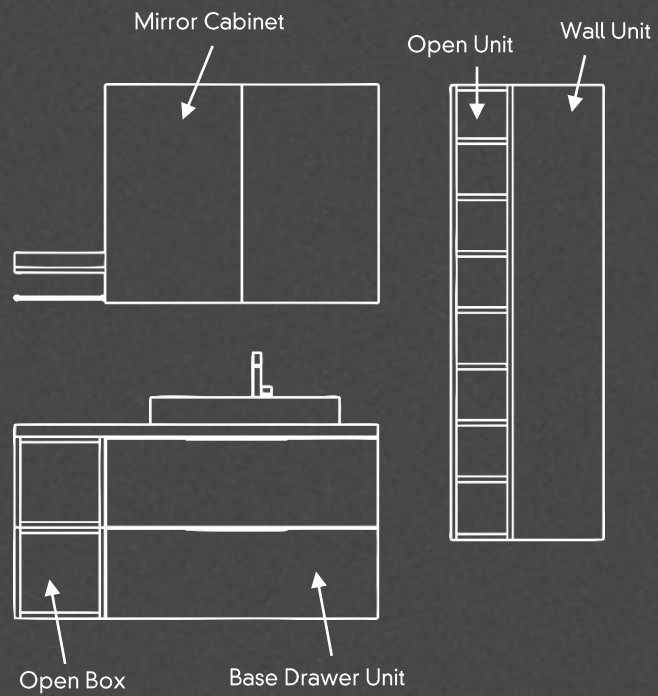


- Shutter : PVC Membrane Foil / Perfect Touch Matt Grey
- Handle : H77
- Carcass : Slate Grey





DESIGN - 09

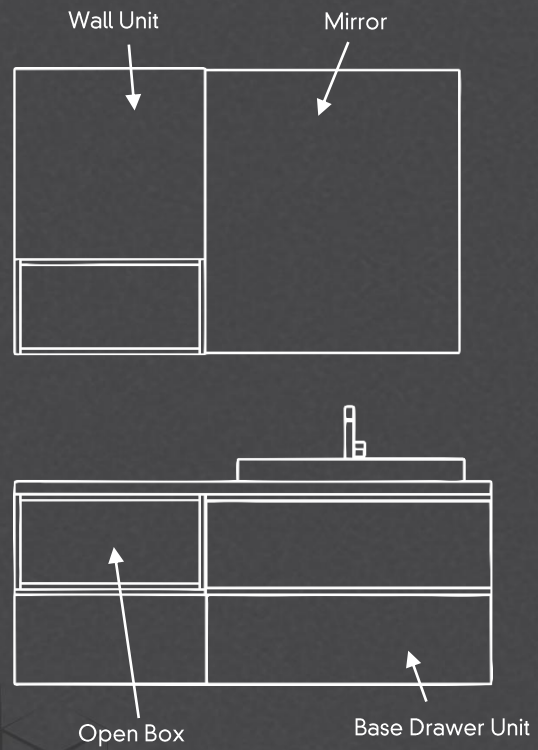


Shutter : PU Matt
Handle : H33
Carcass : Natural Teak





DESIGN - 10

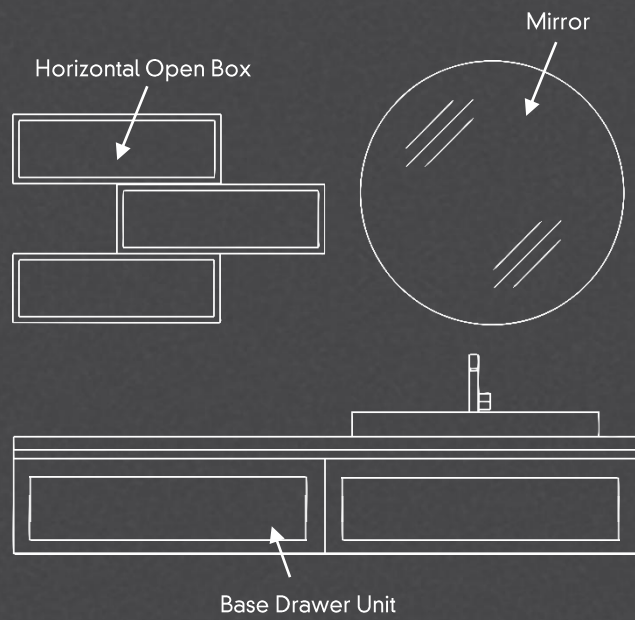


- Shutter : Membrane - Tobacco oak and Polymer-bronze
- Handle : Gola Profile
- Carcass : Bronze Walnut





DESIGN - 11



Shutter : CL-40 PU Matt

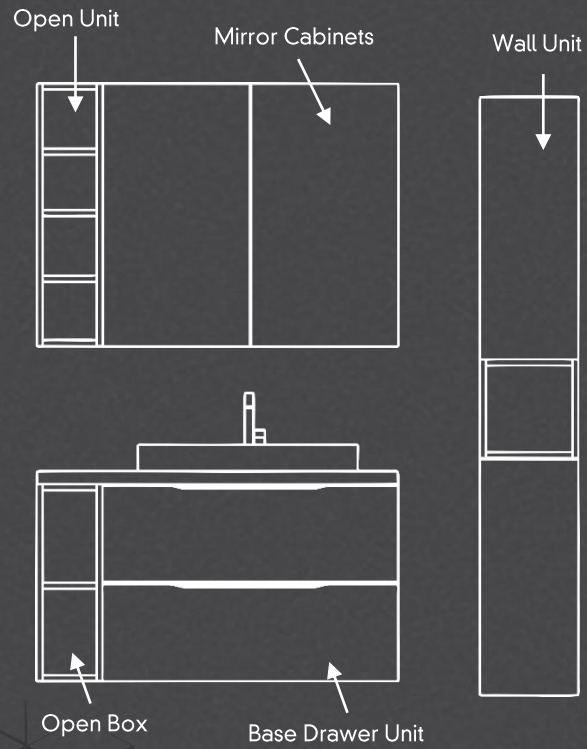
Handle : Gola Profile

Carcass : White





DESIGN - 12



Shutter : Polymer White

Handle : H77

Carcass : Slate Grey



THANK YOU

www.spacewood.in